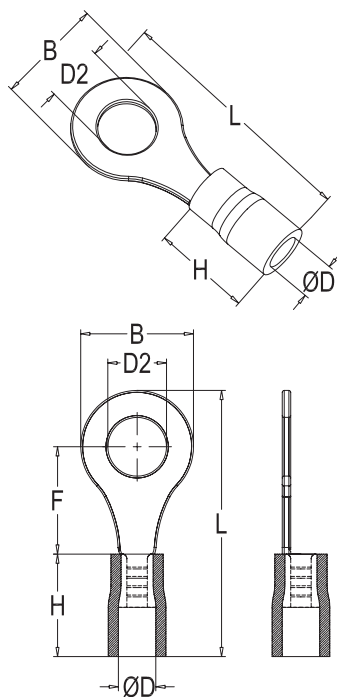


RCCN 日成RF型绝缘端子 RF Insulated Ring Terminals



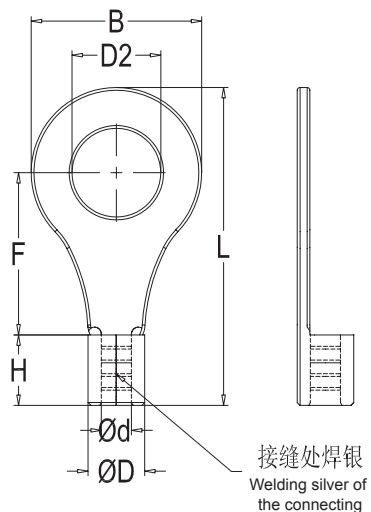
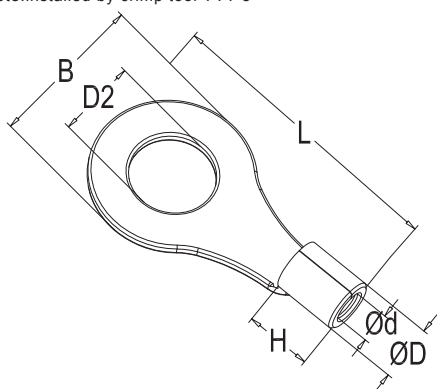
说明：本系列配套工具 YYT-1可定制特殊颜色，有起订量要求。1000PCS
Use note: installed by tool YYT-1 Special Color can be produced with MOQ.

型号 Item No.	尺寸DIMENSION							颜色 Color
	AWG/mm ² 最大电流 包装	螺栓口直径 Dia. of bolt D2	B mm	L mm	F mm	H mm	Dφ mm	
RF1.25-3		3.2mm	5.7	17.8	4.95			
RFS1.25-3.5		3.7mm	5.7	17.8	4.95			
RFM1.25-3.5		3.7mm	6.6	20.1	6.3			
RFL1.25-3.5		3.7mm	8.0	21.5	7.0			
RFS1.25-4	22-16	4.3mm	6.6	20.1	6.3	10.0	4.3	红 Red
RFL1.25-4	0.5-1.5	4.3mm	8.0	21.5	7.0			
RF1.25-5	19A	5.3mm	8.0	21.5	7.0			
RFL1.25-5	1000PCS	5.3mm	9.8	23.0	8.5			
RFS1.25-6		6.5mm	9.8	23.0	8.5			
RF1.25-6		6.5mm	11.6	27.5	11.1			
RF1.25-8		8.4mm	11.6	27.5	11.1			
RF1.25-10		10.5mm	13.6	31.6	13.9			
RF1.25-12		13.0mm	19.2	36.0	16.5			
RF2-3		3.2mm	6.6	17.8	4.3			
RFS2-3.5		3.7mm	6.6	17.8	4.3			
RFM2-3.5		3.7mm	6.6	21.0	7.0			
RFL2-3.5		3.7mm	8.5	22.5	7.75			
RFS2-4	16-14	4.3mm	6.6	19.5	6.5			
RFL2-4	1.5-2.5	4.3mm	8.5	22.5	7.75	10.0	4.9	蓝 Blue
RFS2-5	27A	5.3mm	8.5	22.5	7.75			
RFL2-5	1000PCS	5.3mm	9.5	22.5	7.25			
RF2-6		6.5mm	12.0	27.6	11.0			
RF2-8		8.4mm	12.0	27.6	11.0			
RF2-10		10.5mm	14	31	13.9			
RF2-12		13.0mm	19.2	36.5	16.5			
RF3.5-4		4.3mm	8.0	24.5	7.7			
RFS3.5-5		5.3mm	8.0	24.5	7.7			
RFL3.5-5	14-12	5.3mm	12.0	27.9	7.7	13.5	6.7	黑 Black
RF3.5-6	2.5-4	6.5mm	12.0	27.9	7.7			
RF3.5-8	37A	8.4mm	15.0	32.0	13.5			
RF3.5-10	500PCS	10.5mm	15.0	32.0	13.5			
RF5.5-3.5		3.7mm	7.2	21.4	5.9			
RFS5.5-4		4.3mm	7.2	21.4	5.9			
RFL5.5-4		4.3mm	9.5	26.5	8.3			
RF5.5-5	12-10	5.3mm	9.5	26.5	8.3			
RF5.5-6	4-6	6.5mm	12.0	31	13.0	13.5	6.7	黄 yellow
RF5.5-8	48A	8.4mm	15.0	33.7	13.7			
RF5.5-10	500PCS	10.5mm	15.0	33.7	13.7			
RF5.5-12		13.0mm	19.2	38.1	16.0			
RF8-3		3.7mm	10.0	30.0				
RF8-4	8	4.3mm	10.0	30.0				
RF8-5	6-10	5.3mm	10.0	30.0				
RF8-6	62A	6.4mm	11.0	31.5		17.5	4.5	红 Red
RF8-8	100PCS	8.4mm	14.0	36.0				
RF8-10		10.5mm	18.0	39.5				
RF14-5		5.3mm	11.0	37.5				红 Red
RF14-6	6	6.4mm	11.0	37.5				
RF14-8	10-16	8.4mm	14.0	43.0		23.0	5.9	蓝 Blue
RF14-10	88A	10.5mm	18.0	45.0				
RF14-12	100PCS	13.0mm	18.0	45.0				

RCCN 日成R型裸端子 R Non-Insulated Ring Terminals



说明：本系列配套工具 YYT-8 YYT-70 240
Note: installed by crimp tool YYT-8

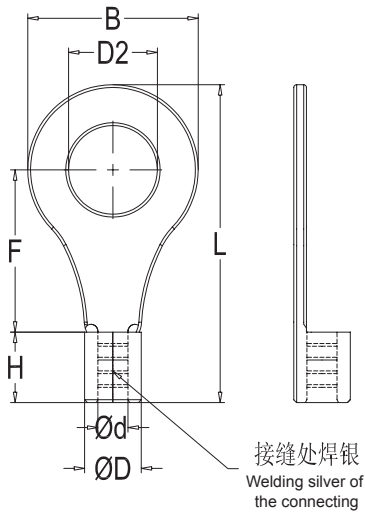
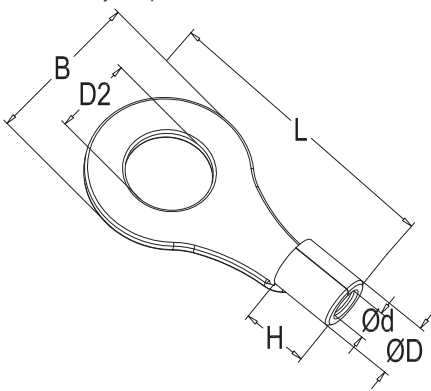


型号 Item No.	尺寸 DIMENSION							
	AWG mm ² 电流/包装	螺栓口直径 Dia. of bolt D2	B mm	L mm	F mm	H mm	D φ mm	d φ mm
R1.25-3		3.2mm	5.5	12.5	5.0			
RS1.25-3.5		3.7mm	5.5	12.5	5.0			
RM1.25-3.5		3.7mm	6.6	14.4	6.3			
RL1.25-3.5		3.7mm	8.0	15.8	7.0			
RS1.25-4	22-16	4.3mm	6.6	14.4	6.3			
RL1.25-4	0.5-1.5	4.3mm	8.0	15.8	7.0			
R1.25-5	19A	5.3mm	8.0	15.8	7.0	4.8	3.4	1.7
RL1.25-5	1000PCS	5.3mm	9.8	18.0	8.5			
RS1.25-6		6.4mm	9.8	18.0	8.5			
RL1.25-6		6.4mm	11.6	21.8	11.0			
RL1.25-8		8.4mm	11.6	21.8	11.0			
RL1.25-10		10.5mm	13.6	25.5	13.9			
RL1.25-12		13.0mm	19.2	30.4	16.0			
R2-3		3.2mm	6.6	12.8	4.8			
RS2-3.5		3.7mm	6.6	12.8	4.8			
RM2-3.5		3.7mm	6.6	14.4	6.3			
RL2-3.5		3.7mm	8.5	16.5	7.4			
RS2-4	16-14	4.3mm	6.6	14.4	6.3			
RL2-4	1.5-2.5	4.3mm	8.5	16.5	7.4	4.8	4.1	2.3
RS2-5	27A	5.3mm	8.5	16.5	7.4			
RL2-5	1000PCS	5.3mm	9.5	17.0	7.4			
R2-6		6.5mm	12.0	21.8	11.0			
R2-8		8.4mm	12.0	21.8	11.0			
R2-10		10.5mm	13.6	25.5	13.9			
R2-12		13.0mm	19.2	30.4	16.0			
R3.5-4		4.3mm	8.0	18.0	7.7			
RS3.5-5	14-12	5.3mm	8.0	18.0	7.7			
RL3.5-5	2.5-4	5.3mm	12.0	21.4	7.7	6.0	5.0	3.0
R3.5-6	37A	6.4mm	12.0	21.4	7.7			
R3.5-8	500PCS	8.4mm	15.0	27.0	13.5			
R3.5-10		10.5mm	15.0	27.0	13.5			
R5.5-3.5		3.7mm	7.2	15.7	6.1			
RS5.5-4		4.3mm	7.2	15.7	6.1			
RL5.5-4	12-10	4.3mm	9.5	19.0	8.3			
R5.5-5	4-6	5.3mm	9.5	19.0	8.3	6.8	5.6	3.4
R5.5-6	48A	6.5mm	12.0	22.5	10.5			
R5.5-8	500PCS	8.4mm	15.0	27.0	13.3			
R5.5-10		10.5mm	15.0	27.0	13.3			
R5.5-12		13.0mm	19.2	31.6	16.0			
R8-4		4.3mm	8.8	23.8	9.3			
RS8-5		5.3mm	8.8	23.8	10.5			
RM8-5		5.3mm	12.0	23.8	9.3			
RL8-5	8	5.3mm	15.0	29.8	13.8			
RS8-6	6-10	6.5mm	12.0	23.8	9.3	8.5	7.2	4.5
RL8-6	62A	6.5mm	15.0	29.8	13.8			
R8-8	500PCS	8.4mm	15.0	29.8	13.8			
R8-10		10.5mm	15.0	29.8	13.8			
R8-12		13.0mm	20.0	33.5	15.0			
R14-4		4.3mm	12.0	29.8	13.3			
R14-5		5.3mm	12.0	29.8	13.3			
RS14-6	6	6.4mm	12.0	29.8	13.3			
RL14-6	10-16	6.4mm	16.0	32.5	14.2	10.5	9.0	5.8
R14-8	88A	8.4mm	16.0	32.5	14.2			
R14-10	500PCS	10.5mm	16.0	32.5	14.2			
R14-12		13.0mm	22.0	41.0	19.8			

RCCN 日成R型裸端子 R Non-Insulated Ring Terminals



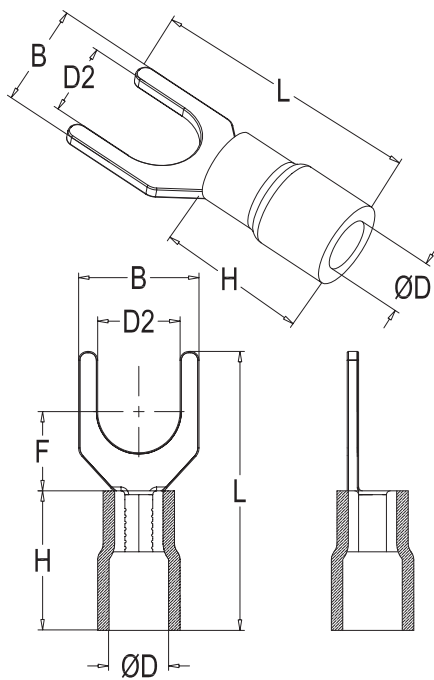
说明：本系列配套工具 YYT-8 YTT-70 240
 Note: installed by crimp tool YTT-8



型号 Item No.	尺寸 DIMENSION								
	AWG mm ² 电流/包装	螺栓口直径 Dia. of bolt D2	B mm	L mm	F mm	H mm	Dφ mm	dφ mm	
RS22-5	4 16~25	5.3mm	12.2	33.2	15.1	12.0	11.5	7.7	
RL22-5		5.3mm	16.5	33.5	13.5				
RS22-6		6.5mm	12.2	33.0	15.1				
RL22-6		6.5mm	16.5	33.5	13.5				
R22-8		115A	8.4mm	16.5	33.5				16.5
R22-10		100PCS	10.5mm	16.5	33.5				16.5
R22-11	2 35~50 160A	11.5mm	22.0	42.5	19.7	14.0	13.3	9.4	
R22-12		13.0mm	22.0	42.5	19.7				
R38-5		5.3mm	15.3	39.0	17.4				
R38-6		6.4mm	15.3	39.0	17.4				
RS38-8		8.4mm	15.3	39.0	17.4				
RL38-8		8.4mm	22.0	42.7	17.7				
RS38-10	10.5mm	15.3	39.0	17.4					
RL38-10	10.5mm	22.0	42.7	17.7					
R38-11	1/0 50~70 215A	11.5mm	22.0	42.7	17.7	18.0	15.4	11.7	
R38-12		13.0mm	22.0	42.7	17.7				
R60-6		6.5mm	22.0	49.7	20.7				
R60-8		8.4mm	22.0	49.7	20.7				
R60-10		10.5mm	22.0	49.7	20.7				
R60-12		13.0mm	22.0	49.7	20.7				
R60-14	100PCS	15.0mm	32.0	57.5	23.5				
R60-16		17.0mm	32.0	57.5	23.5				
R60-18		19.0mm	32.0	57.5	23.5				
R60-20		21.0mm	32.0	57.5	23.5				
R70-6		2/0 70	6.5mm	24.0	51.0	20.0	19.0	17.5	13.0
R70-8			8.4mm	24.0	51.0	20.0			
R70-10	10.5mm		24.0	51.0	20.0				
R70-12	13.0mm		24.0	51.0	20.0				
R70-14	235A		15.0mm	32.0	61.0	26.0			
R70-16	100PCS		17.0mm	32.0	61.0	26.0			
R70-18	3/0 80	19.0mm	32.0	61.0	26.0	20.0	19.5	14.5	
R70-20		21.0mm	32.0	61.0	26.0				
R80-6		6.5mm	27.0	53.5	20.7				
R80-8		8.4mm	27.0	53.5	20.7				
R80-10		10.5mm	27.0	53.5	20.7				
R80-12		255A	13.0mm	27.0	53.5				20.7
R80-14	100PCS	15.0mm	32.0	68.0	32.0				
R80-16		17.0mm	32.0	68.0	32.0				
R80-18		19.0mm	32.0	68.0	32.0				
R80-20		21.0mm	32.0	68.0	32.0				
R100-6		4/0 95~100 300A	6.5mm	28.5	55.6	20.4	21.0	22.1	16.4
R100-8			8.4mm	28.5	55.6	20.4			
R100-10	10.5mm		28.5	55.6	20.4				
R100-12	13.0mm		28.5	55.6	20.4				
R100-14	15.0mm		32.0	69.0	32.0				
R100-16	100PCS		17.0mm	32.0	69.0	32.0			
R100-18	250/300MCM 120~150 395A	19.0mm	32.0	69.0	32.0	27.0	26.6	19.5	
R100-20		21.0mm	32.0	69.0	32.0				
R150-8		8.4mm	36.0	66.0	23.0				
R150-10		10.5mm	36.0	66.0	23.0				
R150-12		13.0mm	36.0	66.0	23.0				
R150-14		15.0mm	36.0	66.0	23.0				
R150-16	100PCS	17.0mm	36.0	66.0	23.0				
R150-18		19.0mm	36.0	81.0	36.0				
R150-20		21.0mm	36.0	81.0	36.0				
R150-22		23.0mm	36.0	81.0	36.0				
R150-24		25.0mm	36.0	81.0	36.0				

型号 Item No.		
180平方/440A	200-300平方/470A	300-400平方/650A
R180-8	R200-8	R325-8
R180-10	R200-10	R325-10
R180-12	R200-12	R325-12
R180-14	R200-14	R325-14
R180-16	R200-16	R325-16
R180-18	R200-18	R325-18
R180-20	R200-20	R325-20
R180-22	R200-22	R325-22
R180-24	R200-24	R325-24
R180-27	R200-27	R325-27

RCCN 日成YF型绝缘端子 YF Insulated Spade Terminals



说明：本系列配套工具 YF-T-1可定制特殊颜色，有起订量要求。
Use note: installed by tool YF-T-1 Special Color can be produced with MOQ.

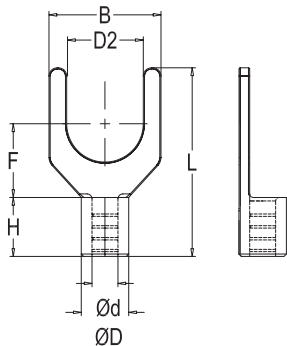
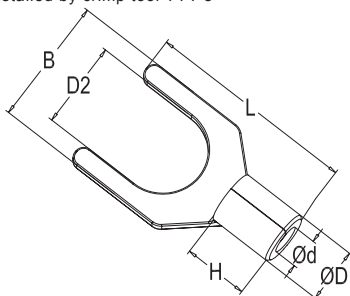
型号 Item No.	尺寸 DIMENSION							颜色 Color
	AWG/mm ² 最大电流 包装	螺栓口直径 Dia. of bolt D2	B mm	L mm	F mm	H mm	D ϕ mm	
YF1.25-3	22-16 0.5-1.5 19A	3.2mm	5.7	21.2	6.5	10.0	4.3	红 Red
YFS1.25-3.5		3.7mm	5.7	21.2	6.5			
YFL1.25-3.5		3.7mm	6.4	21.2	6.5			
YFS1.25-4		4.3mm	6.4	21.2	6.5			
YFM1.25-4		4.3mm	7.2	21.2	6.5			
YFL1.25-4		4.3mm	8.1	21.2	6.5			
YFS1.25-5		5.3mm	8.1	21.2	6.5			
YFL1.25-5		5.3mm	9.5	21.2	6.5			
YFS1.25-6		6.5mm	9.5	21.2	6.5			
YFL1.25-6		6.5mm	12.0	27.2	11.0			
YF2-3	16-14 1.5-2.5 27A 1000PCS	3.2mm	5.7	21.2	6.5	10.0	4.9	蓝 Blue
YFS2-3.5		3.7mm	5.7	21.2	6.5			
YFL2-3.5		3.7mm	6.0	21.2	6.5			
YFS2-4		4.3mm	6.4	21.2	6.5			
YFM2-4		4.3mm	7.2	21.2	6.5			
YFL2-4		4.3mm	8.1	21.2	6.5			
YFS2-5		5.3mm	8.1	21.2	6.5			
YFL2-5		5.3mm	9.5	21.2	6.5			
YFS2-6		6.5mm	9.5	21.2	6.5			
YFL2-6		6.5mm	12.0	27.2	11.0			
YF3.5-3	14-12 2.5-4 37A 500PCS	3.2mm	5.7	24.8	7.0	13.5	6.2	黑 Black
YF3.5-4		4.3mm	8.0	24.8	7.0			
YF3.5-5		5.3mm	8.0	24.8	7.0			
YF3.5-6		6.5mm	12.0	28.0	12.1			
YF5.5-3.5	12-10 4-6 48A 500PCS	3.7mm	8.3	25.2	7.5	13.5	6.7	黄 yellow
YFS5.5-4		4.3mm	8.3	25.2	7.5			
YFL5.5-4		4.3mm	9.0	26.0	7.5			
YF5.5-5		5.3mm	9.0	26.0	7.5			
YFS5.5-6		6.5mm	9.0	26.0	7.5			
YFL5.5-6		6.5mm	12.0	31.2	12.0			
YF5.5-8		8.4mm	14.0	30.0	11.5			



RCCN 日成Y型裸端子 Y Non-Insul Ated Spade Terminals



说明：本系列配套工具 YTT-8
Note: installed by crimp tool YTT-8



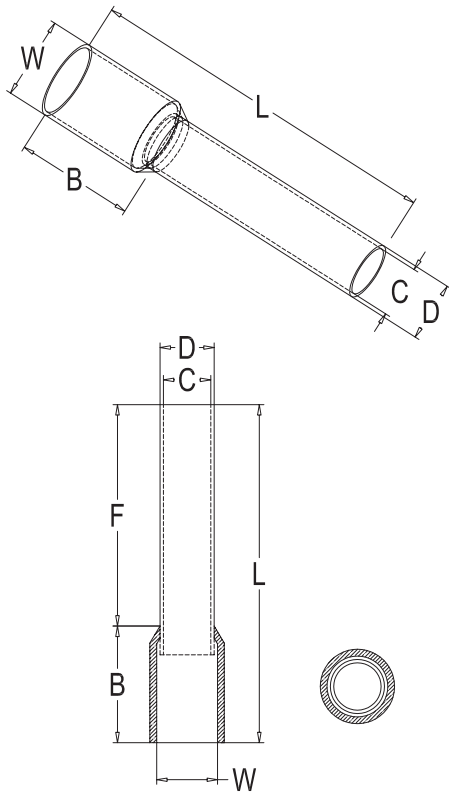
型号 Item No.	尺寸 DIMENSION											
	AWG mm ² 最大电流	螺栓口直径 Dia. of bolt D2	B mm	L mm	F mm	H mm	Dφ mm	dφ mm				
Y1.25-3	22-16	3.2mm	5.7	16.0	6.5	4.8	3.4	1.7				
YS1.25-3.5		3.7mm	5.7	16.0	6.5							
YL1.25-3.5		3.7mm	6.4	16.0	6.5							
YS1.25-4		4.3mm	6.4	16.0	6.5							
YM1.25-4		0.5-1.5	4.3mm	7.2	16.0				6.5			
YL1.25-4		19A	4.3mm	8.1	16.0				6.5			
YS1.25-5	16-14	5.3mm	8.1	16.0	6.5	4.8	4.1	2.3				
YL1.25-5		5.3mm	9.5	16.0	6.5							
YS1.25-6		6.4mm	9.5	16.0	6.5							
YL1.25-6		6.4mm	12.0	22.0	11.0							
Y2-3		1.5-2.5	3.2mm	5.7	16.0				6.5	6.0	5.0	3.0
YS2-3.5			3.7mm	5.7	16.0				6.5			
YL2-3.5	3.7mm		6.0	16.0	6.5							
YS2-4	4.3mm		6.4	16.0	6.5							
YM2-4	27A		4.3mm	7.2	16.0	6.5						
YL2-4	27A		4.3mm	8.1	16.0	6.5						
YS2-5	14-12	5.3mm	8.1	16.0	6.5	6.8	5.6	3.4				
YL2-5		5.3mm	9.3	16.0	6.5							
YS2-6		6.4mm	9.3	16.0	6.5							
YL2-6		6.4mm	12.0	22.0	11.0							
Y3.5-3		2.5-4	3.2mm	5.7	18.3				7.0	8.5	7.2	4.5
Y3.5-4			4.3mm	8.0	18.3				7.0			
Y3.5-5	5.3mm		8.0	18.3	7.0							
Y3.5-6	37A		6.5mm	12.0	21.5	7.0						
YS5.5-3.5	12-10		3.7mm	7.2	17.4	7.5	10.5	9.0	5.8			
Y5.5-3.5			3.7mm	8.3	18.5	7.0						
YS5.5-4		4.3mm	8.3	18.5	7.0							
YL5.5-4		4.3mm	9.0	18.5	7.0							
Y5.5-5		4-6	5.3mm	9.0	18.5	7.0						
YS5.5-6		48A	6.4mm	9.0	18.5	7.0						
YL5.5-6	6-10	6.4mm	12.0	24.5	12.0	12.0	11.5	7.7				
Y5.5-8		8.4mm	14.0	23.5	10.5							
Y8-4		62A	4.3mm	9.0	20.8				8.1	14.0	13.3	9.4
Y8-5			5.3mm	9.0	20.8				8.1			
Y8-6			6.5mm	12.0	23.8				9.2			
Y8-8			8.4mm	13.8	25.4				10.7			
Y8-10	10.5mm		15.9	25.4	10.7							
Y14-4	10-16		4.3mm	11.0	25.5	10.7	14.0	13.3	9.4			
Y14-5		5.3mm	11.0	25.5	10.7							
Y14-6		6.5mm	11.0	25.5	10.7							
Y14-8		88A	8.4mm	13.8	28.5	10.7						
Y14-10		10.5mm	15.9	28.5	10.7							
Y22-5		16-25	5.3mm	11.0	27.7	9.5				14.0	13.3	9.4
Y22-6	6.5mm		11.0	27.7	9.5							
Y22-8	8.4mm		16.5	33.5	13.5							
Y22-10	115A		10.5mm	16.5	33.5	13.5						
Y38-6	35-50		6.5mm	15.9	35.0	13.5	14.0	13.3	9.4			
Y38-8			8.4mm	15.9	35.0	13.5						
Y38-10		160A	10.5mm	15.9	35.0	13.5						
Y38-12		13.0mm	19.0	38.0	15.5							

RCCN 日成ET欧式管形绝缘端子 ET Insulated Cord End Terminals



说明：本系列0.25-16配套工具YAC系列
 本系列25-150配套液压工具YYT系列
 Use note: series from 0.25to 16 installed by tool of YAC series
 series 25 to 150 installed by tool of YYT series

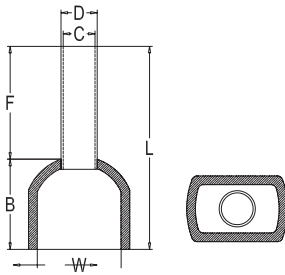
护套颜色:红白蓝黑黄灰绿等7色可选配



工作极限温度: -14 至105 U_i=300V 端子材质: 镀锡紫铜管
 limited W.T: -14 to 105 U_i=300V Material of copper: tin coated copper

型号 Item No.	尺寸 DIMENSION						导线截面 Insulated square		绝缘套颜色 Color	
	F mm	L mm	W mm	B mm	D mm	C mm	A.W.G	mm ⁵	德国 Germany	法国 France
ET0.25-6	6	10.4								
ET0.25-8	8	12.5								
ET0.3-6	6	10.5								
ET0.3-8	8	12.5								
ET0.5-6	6	12.4								
ET0.5-8	8	14.4								
ET0.5-10	10	16.4	2.6	6.4	1.3	1.0	#22	0.5	橙色 Orange	白色 White
ET0.5-12	12	18.4								
ET0.75-6	6	12.4								
ET0.75-8	8	14.4								
ET0.75-10	10	16.4	2.8	6.4	1.6	1.3	#20	0.75	白色 White	蓝色 Blue
ET0.75-12	12	18.4								
ET1.0-6	6	12.4								
ET1.0-8	8	14.4								
ET1.0-10	10	16.4	3.0	6.4	1.8	1.5	#18	1.0	黄色 Yellow	红色 Red
ET1.0-12	12	18.4								
ET1.5-8	8	14.4								
ET1.5-10	10	16.4								
ET1.5-12	12	18.4								
ET1.5-18	18	24.4								
ET2.5-8	8	15.8								
ET2.5-10	10	17.8								
ET2.5-12	12	19.8	4.0	7.8	2.6	2.3	#14	2.5	蓝色 Blue	灰色 Gray
ET2.5-18	18	25.8								
ET4.0-9	9	17.0								
ET4.0-12	12	20.0								
ET4.0-18	18	26.0	4.8	8.0	3.2	2.8	#12	4.0	灰色 Gray	橙色 Orange
ET6.0-10	10	18.2								
ET6.0-12	12	20.2								
ET6.0-18	18	26.2	6.1	8.2	3.9	3.5	#10	6.0	黑色 Black	绿色 Green
ET10-12	12	21.5	7.6	9.5	4.9	4.5	#7	10.0	乳白 Milk white	褐色 Brown
ET10-18	18	27.5								
ET16-12	12	22.2								
ET16-18	18	28.2	8.8	10.2	6.2	5.8	#5	16.0	绿色 Green	乳白 Milk white
ET25-16	16	28.0								
ET25-22	22	34.0	11.0	12.0	7.9	7.5	#4	25.0	褐色 Brown	黑色 Black
ET35-16	16	30.0								
ET35-25	25	39.0								
ET50-20	20	36.0	15.3	16.0	10.9	10.4	#1	50.0		橄榄绿 Olive Green
ET50-25	25	41.0								
ET70-20	20	37.0	16	17.0	14.3	13.5	#2/0	70.0		
ET70-25	25	42.0	16	17.0	14.3	13.5	#2/0	70.0		黄色 Yellow
ET70-27	27	44.0	16	17.0	14.3	13.5	#2/0	70.0		
ET95-25	25	43.6	18.2	18.6	15.3	14.5	#3/0	95.0		红色/Red
ET120-27	27	47.2	20.3	20.2	17.5	16.5	#4/4	120.0		黑色 Black
ET120-32	32	52.2	20.3	20.2	17.5	16.5	#4/4	120.0		
ET150-25	25	50.6	23.4	25.6	20.6	19.6		150.0		
ET150-27	27	52.6	23.4	25.6	20.6	19.6	250-300 mcm	150.0		黄色 Yellow
ET150-32	32	57.6	23.4	25.6	20.6	19.6		150.0		

RCCN 日成EW型双线管形绝缘端子 Insulated Twin Cord End Terminals



工作极限温度: -14 至 105 Ui=300V 端子材质: 镀锡紫铜管
 Limited W.T: -14 to 105 Ui=300V terminal material: tin coated copper

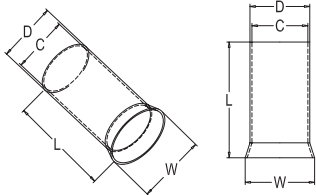
型号 Item No.	尺寸 DIMENSION						导线截面 Insulated square mm ²	绝缘套颜色 Color	
	F	L	W	B	D	C		法国 France	德国 Germany
	mm	mm	mm	mm	mm	mm			
EW0.5-8	8	15.0	5.0	7.0	1.8	1.5	2x0.5	白色 White	白色 White
EW0.75-8	8	15.8	5.3	7.8	2.1	1.8	2x0.75	蓝色 Blue	灰色 Gray
EW0.75-10	10	17.8	5.3	7.8	2.1	1.8	2x0.75	蓝色 Blue	灰色 Gray
EW1.0-8	8	16.0	5.3	8.0	2.4	2.1	2x1.0	红色 Red	红色 Red
EW1.0-10	10	18.0	5.3	8.0	2.4	2.1	2x1.0	红色 Red	红色 Red
EW1.5-8	8	16.0	6.2	8.0	2.6	2.3	2x1.5	黑色 Black	黄色 Yellow
EW1.5-12	12	20.0	6.2	8.0	2.6	2.3	2x1.5	黑色 Black	黄色 Yellow
EW2.5-10	10	19.8	7.8	9.8	3.3	2.9	2x2.5	灰色 Gray	蓝色 Blue
EW2.5-12	12	21.8	7.8	9.8	3.3	2.9	2x2.5	灰色 Gray	蓝色 Blue
EW4.0-12	12	22.2	8.5	10.2	4.2	3.8	2x4.0	橙色 Orange	灰色 Gray
EW6.0-14	14	25.2	9.5	11.2	5.3	4.9	2x6.0	绿色 Green	黄色 Yellow
EW10-14	14	26.0	12.6	12.0	6.9	6.5	2x10.0	棕色 Brown	红色 Red
EW16-14	14	30.3	19.0	16.3	8.7	8.3	2x16.0	乳色 Milk	蓝色 Blue

更多选择: 备多种颜色。 More choice: more Color, come with MOQ
 说明: 本系列配套工具YAC系列 Use note: this series installed with tool of YAC series

RCCN 日成EN型管形裸端子 EN Non-Insulated Cord End Terminals



说明: 本系列0.25-16配套工具YAC系列
 本系列25-150配套液压工具YYT系列

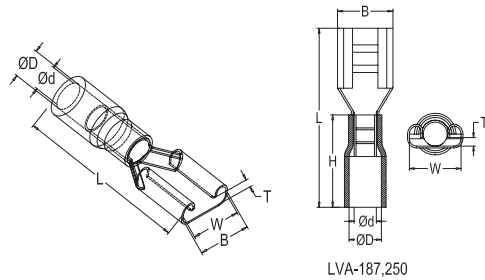


工作极限温度: 105 Ui=300V 端子材质: 镀锡紫铜管
 Limited W.T: 105 Ui=300V Terminal material: Tin coated copper

型号 Item No.	尺寸 DIMENSION				导线截面 Insulated square	
	L	D	C	W	AWG	mm ²
EN0.5-6	6	1.3	1.0	1.7	#22	0.5
EN0.5-8	8	1.3	1.0	1.7	#22	0.5
EN0.5-10	10	1.3	1.0	1.7	#22	0.5
EN0.5-12	12	1.3	1.0	1.7	#22	0.5
EN0.75-6	6	1.5	1.2	1.9	#20	0.75
EN0.75-8	8	1.5	1.2	1.9	#20	0.75
EN0.75-10	10	1.5	1.2	1.9	#20	0.75
EN0.75-12	12	1.5	1.2	1.9	#20	0.75
EN1.0-6	6	1.7	1.4	2.2	#18	1.0
EN1.0-8	8	1.7	1.4	2.2	#18	1.0
EN1.0-10	10	1.7	1.4	2.2	#18	1.0
EN1.0-12	12	1.7	1.4	2.2	#18	1.0
EN1.5-8	8	2.0	1.7	2.5	#16	1.5
EN1.5-10	10	2.0	1.7	2.5	#16	1.5
EN1.5-12	12	2.0	1.7	2.5	#16	1.5
EN1.5-18	18	2.0	1.7	2.5	#16	1.5
EN2.5-8	8	2.5	2.2	3.3	#14	2.5
EN2.5-10	10	2.5	2.2	3.3	#14	2.5
EN2.5-12	12	2.5	2.2	3.3	#14	2.5
EN2.5-18	18	2.5	2.2	3.3	#14	2.5
EN4.0-9	9	3.2	2.8	3.9	#12	4.0
EN4.0-12	12	3.2	2.8	3.9	#12	4.0
EN4.0-18	18	3.2	2.8	3.9	#12	4.0
EN6.0-10	10	3.9	3.5	4.8	#10	6.0
EN6.0-12	12	3.9	3.5	4.8	#10	6.0
EN6.0-15	15	3.9	3.5	4.8	#10	6.0
EN6.0-18	18	3.9	3.5	4.8	#10	6.0
EN10-12	12	4.9	4.5	5.8	#7	10.0
EN10-15	15	4.9	4.5	5.8	#7	10.0
EN10-18	18	4.9	4.5	5.8	#7	10.0
EN16-12	12	6.2	5.8	7.2	#5	16.0
EN16-15	15	6.2	5.8	7.2	#5	16.0
EN16-18	18	6.2	5.8	7.2	#5	16.0

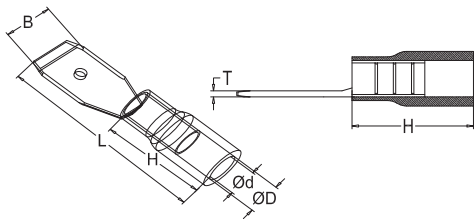
型号 Item No.	尺寸 DIMENSION				导线截面 Insulated square	
	L	D	C	W	AWG	mm ²
EN25-16	16	7.9	7.5	9.1	#4	25
EN25-22	22	7.9	7.5	9.1	#4	25
EN35-16	16	8.7	8.3	10.2	#2	35
EN35-25	25	8.7	8.3	10.2	#2	35
EN50-20	20	10.9	10.3	12.4	#1	50
EN50-25	25	10.9	10.3	12.4	#1	50
EN70-25	25	14.3	13.5	15.8	2/0	70
EN70-32	32	14.3	13.5	15.8	2/0	70
EN95-25	25	15.3	14.5	17.3	3/0	95
EN95-32	32	10.9	10.3	12.4	3/0	95
EN120-32	32	17.5	16.5	20.2	4/0	120
EN150-40	40	20.6	19.6	23.0	250/300	150
EN185-40	40	21.4	20.2	23.9	250/300	185

RCCN 日成LVA型插式绝缘母端子 LVA Insulated Female Terminals



型号 Item No.	AWG mm ² 包装	NEMA-TAB T×W	尺寸 DIMENSION						
			料厚 mm	B mm	dφ mm	Dφ mm	L mm	H mm	
LVA1.25-110(5)	22-16	0.5×2.8	0.3	3.8	1.7	3.8	19.0	10.0	
LVA1.25-110(8)		0.8×2.8	0.3	3.8	1.7	3.8	19.0		
LVA1.25-187(5)	0.5-1.5	0.5×4.75	0.35	5.6	1.7	3.8	19.0		
LVA1.25-187(8)		0.8×4.75	0.35	5.6	1.7	3.8	19.0		
LVA1.25-205	1000PCS	0.5×5.2	0.35	6.5	1.7	3.8	20.0		
LVA1.25-250		0.8×6.35	0.4	7.4	1.7	3.8	21.0		
LVA2-110(5)	16-14	0.5×2.8	0.3	3.8	2.3	4.3	19.0		10.0
LVA2-110(8)	1.5-2.5	0.8×2.8	0.3	3.8	2.3	4.3	19.0		
LVA2-187(5)	1000PCS	0.5×4.75	0.35	5.6	2.3	4.3	19.0		
LVA2-187(8)		0.8×4.75	0.35	5.6	2.3	4.3	19.0		
LVA2-205		0.5×5.2	0.35	6.5	2.3	4.3	20.0		
LVA2-250		0.8×6.35	0.4	7.4	2.3	4.3	21.0		
LVA2-312		0.8×8.0	0.4	9.0	2.3	4.3	23.0		
LVA5.5-250	12-10	0.8×6.35	0.4	7.4	3.4	5.7	25.0	13.5	
LVA5.5-312	4-6 500PCS	1.2×9.4	0.5	10.9	3.4	5.7	29.6	13.5	

RCCN 日成LVB型插式绝缘公端子 LVB Insulated Male Terminals

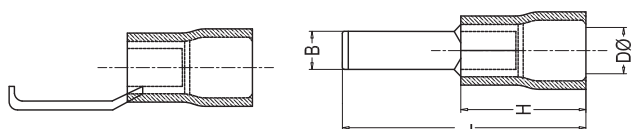


型号 Item No.	AWG mm ² 包装	NEMA-TAB T×B	尺寸 DIMENSION						
			料厚 mm	B mm	dφ mm	Dφ mm	L mm	H mm	
LVB 1.25-110(5)	22-16	0.5×2.8	0.5	2.8	1.7	4.3	17.7	10.0	
LVB 1.25-110(8)		0.8×2.8	0.8	2.8	1.7	4.3	17.7		
LVB 1.25-187(5)	0.5-1.5	0.5×4.75	0.5	4.75	1.7	4.3	20.0		
LVB 1.25-187(8)		0.8×4.75	0.8	4.75	1.7	4.3	21.0		
LVB 1.25-250	1000PCS	0.8×6.35	0.4*2	6.35	1.7	4.3	21.0		
LVB 2-187(5)	16-14	0.5×4.75	0.5	4.75	2.3	4.3	20.0		10.0
LVB 2-187(8)	1.5-2.5	0.8×4.75	0.8	4.75	2.3	4.3	19.0		
LVB 2-250	1000PCS	0.8×6.35	0.4*2	6.35	2.3	4.3	21.0		
LVB 5.5-250	12-10 / 4-6 500PCS	0.8×6.35	0.4*2	6.35	3.4	5.7	25.0		

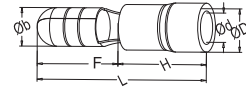
RCCN 日成LBV凹片形绝缘端子 LBV Insulated Terminals



型号 Item No.	AWG mm ² 包装	尺寸 DIMENSION				颜色 Color
		B mm	L mm	H mm	Dφ mm	
LBV1.25-3	22-16	3.0	26.8	10.0	4.3	红/Red
LBV1.25-4.6	0.5-1.5 1000PCS					
LBV2-3	16-14	3.0	26.8	10.0	4.9	蓝/Blue
LBV2-4.6	1.5-2.5 1000PCS					
LBV5.5-3	12-10	3.0	29.3	13.0	6.7	黄/Yellow
LBV5.5-4.6	4-6 500PCS					

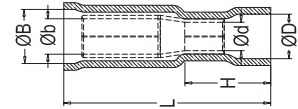


RCCN 日成FB子弹型绝缘公端子 FB Insulated Bullet Terminals



型号 Item No.	AWG mm ²	材料厚度 Thickness of material mm	尺寸 DIMENSION						颜色 Color
			b φ	F	D φ	d φ	H	L	
			mm	mm	mm	mm	mm	mm	
FB1.25-156	22-16/0.5-1.5	0.4	4.0	11.0	3.5	1.7	10.0	21.0	红/Red
FB2-156	16-14	0.4	4.0	11.0	4.0	2.3	10.0	21.0	蓝/Blue
FB2-195	1.5-2.5	0.4	5.0	11.0	4.0	2.3	10.0	21.0	蓝/Blue
FB5.5-195	12-10/4-6	0.4	4.0	11.0	5.0	3.4	13.5	25.0	黄/Yellow

RCCN 日成FA子弹型绝缘母端子 FA Insulated Bullet Sockets Terminals



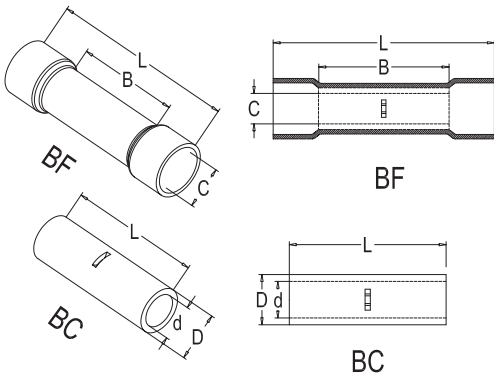
型号 Item No.	材料厚度 Thickness of material mm	尺寸 DIMENSION						颜色 Color
		b φ	B φ	D φ	d φ	H	L	
		mm	mm	mm	mm	mm	mm	
FA1.25-156	0.4	4.0	6.3	2.7	1.7	13.0	24.5	红/Red
FA2-156	0.4	4.0	6.3	3.3	2.3	14.0	24.5	蓝/Blue
FA2-195	0.4	5.0	7.0	3.3	2.3	14.0	24.5	蓝/Blue
FA5.5-195	0.4	5.0	7.0	4.5	3.4	14.0	29.5	黄/Yellow

RCCN 日成BF型中间绝缘端子 BF Insulated Butt Spice Terminals



说明：本系列配套工具 YTT-1 Note:installed by crimp tool YTT-1

型号 Item No.	导线截面 Insulated square		尺寸 DIMENSION			最大 电流 I _{max}	绝缘套颜色 INSULATION Color
	A.WG	mm ²	B	C	L		
	mm	mm	mm	mm	mm		
BF1.25	22-16	0.5-1.5	15.0	1.7	26.0	19A	红/Red
BF2	16-14	1.5-2.5	15.0	2.3	26.0	27A	蓝/Blue
BF5.5	12-10	4-6	15.0	3.4	26.0	48A	黄/Yellow
BF8	#8	6~10	21.0	4.5	32.0	62A	红/Red
BF14	#6	10~16	26.0	5.8	42.0	88A	蓝/Blue
BF22	#4	16~25	29.0	7.7	50.0	115A	黄/Yellow
BF38	#2	35~50	32.0	9.4	55.0	160A	红/Red



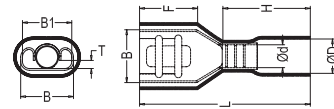
RCCN 短形中间绝缘端子 Short Butt

说明：本系列配套工具 YTT-1 Note:installed by crimp tool YTT-1

型号 Item No.	导线截面 Insulated square		尺寸 DIMENSION			最大 电流 I _{max}	绝缘套颜色 INSULATION Color
	A.WG	mm ²	B	L	F		
	mm	mm	mm	mm	mm		
BFS1.25	22-16	0.5-1.5	8.0	1.7	16.0	19A	红/Red
BFS2	16-14	1.5-2.5	8.0	2.3	16.0	27A	蓝/Blue
BFS5.5	12-10	4-6	8.5	3.4	20.5	48A	黄/Yellow

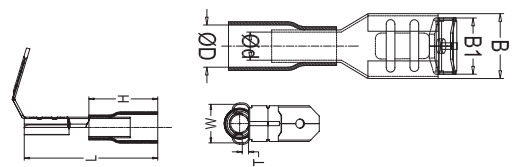
裸端子型号 Item No.	尺寸 DIMENSION		
	D	d	L
BC-1.25	3.7	2.1	15
BC-2.0	4.0	3.0	15
BC-3.5	4.8	3.5	15
BC-5.5	5.5	4.1	15

RCCN 日成PV型全绝缘母端子 PV Insulated Female Terminals



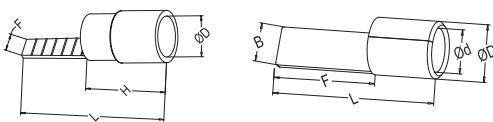
型号 Item No.	AWG mm ² 包装	尺寸 DIMENSION						
		T×B1 mm	B mm	Dφ mm	dφ mm	L mm	F mm	H mm
PV1.25-187(5)	22-16	0.5×4.75	5.6	3.8	1.7	20.0	6.0	10
PV1.25-187(8)	0.5-1.5	0.8×4.75	5.6	3.8	1.7	20.0	6.0	10
PV1.25-250	1000PCS	0.8×6.35	7.4	3.8	1.7	23.2	7.8	10
PV2-187(5)	16-14	0.5×4.75	5.6	4.0	2.3	20.0	6.0	10
PV2-187(8)	1.5-2.5	0.8×4.75	5.6	4.0	2.3	20.0	6.0	10
PV2-250	1000PCS	0.8×6.35	7.4	4.0	2.3	23.5	7.8	10
PV5.5-250	12-10/ 4-6 500PCS	0.8×6.35	7.4	5.7	3.4	23.5	7.8	13

RCCN 日成MF型钩式绝缘端子 MF Insulated Peggy Back Terminals



型号 Item No.	AWG mm ² 包装	尺寸 DIMENSION						
		T×W mm	B mm	B1 mm	H mm	Dφ mm	dφ mm	L mm
MF1.25-250	22-16/0.5-1.5 1000PCS	0.8×6.35	7.4	6.3	10.0	3.8	1.7	21.5
MF2-250	16-14/1.5-2.5 1000PCS	0.8×6.35	7.4	6.3	10.0	4.3	2.3	21.5
MF5.5-250	12-10/ 4-6 500PCS	0.8×6.35	7.4	6.3	13.5	5.7	3.4	25.0

RCCN 日成DBF片形绝缘端子 DBF Insulated Terminals



型号 Item No.	AWG mm ² 包装	尺寸 DIMENSION				颜色 Color
		F mm	L mm	H mm	Dφ mm	
DBF1.25-10	22-16 0.5-1.5 1000PCS	2.3	20.0	10.0	4.0	红/Red
DBF1.25-11		3.0	21.0			
DBF1.25-14		3.0	24.0			
DBF1.25-18		2.2	28.0			
DBF2-10	16-14	2.4	19.0	10.0	4.5	蓝/Blue
DBF2-14	1.5-2.5	2.4	24.0			
DBF2-18	1000PCS	2.2	28.0			
DBF5.5-10	12-10	2.8	22.5	13.5	6.4	黄/Yellow
DBF5.5-14	4-6	4.5	26.5			
DBF5.5-18	500PCS	4.5	30.5			

RCCN 日成DBN片形裸端子

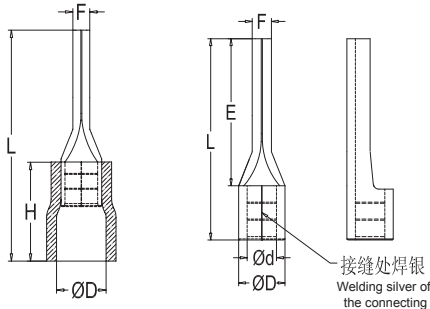


型号 Item No.	AWG mm ² 包装	尺寸 DIMENSION				
		B mm	L mm	F mm	Dφ mm	dφ mm
DBN1.25-10	22-16	2.3	14.8	10.0	3.4	1.7
DBN1.25-11	0.5-1.5	3.0	15.8	11.0		
DBN1.25-14	1000PCS	3.0	18.8	14.0		
DBN1.25-18		2.3	22.8	18.0		
DBN2-9	16-14/1.5-2.5	2.3	13.8	9.0	4.1	2.3
DBN2-18	1000PCS	2.3	22.8	18.0		
DBN5.5-10	12-10	2.8	14.8	10.0	5.6	3.4
DBN5.5-14	4-6	4.5	21.0	14.0		
DBN5.5-18	500PCS	4.5	23.0	18.0		
DBN8-14		5.0	22.5	14.0	7.2	4.5
DBN14-16		6.0	30.6	16.0	9.0	6.5

RCCN 日成PINF针型绝缘端子 PINF Insulated Terminals



型号 Item No.	AWG mm ² 包装	尺寸 DIMENSION				颜色 Color
		F φ mm	L mm	H mm	D φ mm	
PINF1.25-9	22-16 0.5-1.5 1000PCS	1.9	19.0	10.0	4.0	红/Red
PINF1.25-10		1.9	20.0			
PINF1.25-12		1.9	22.0			
PINF1.25-13		1.9	23.0			
PINF1.25-18	1.9	28.0				
PINF2-9	16-14 1.5-2.5 1000PCS	1.9	19.0	10.0	4.5	蓝/Blue
PINF2-10		1.9	20.0			
PINF2-12		1.9	22.0			
PINF2-13		1.9	23.0			
PINF2-18	1.9	28.0				
PINF3.5-10	14-12 2.5-4 500PCS	2.8	20.5	13.5	6.4	黑/Black
PINF3.5-13	500PCS	2.8	25.5	13.5	6.4	黑/Black
PINF5.5-13	12-10/4-6	2.8	25.5	13.5	6.4	黄/Yellow



RCCN 日成PIN针型裸端子

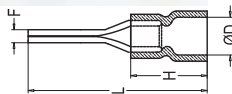


型号 Item No.	AWG mm ² 包装	尺寸 DIMENSION				
		F φ mm	L mm	E mm	D φ mm	d φ mm
PIN1.25-9	22-16 0.5-1.5 1000PCS	1.9	13.8	9	3.4	1.7
PIN1.25-10		1.9	14.8	10		
PIN1.25-12		1.9	16.8	12		
PIN1.25-13		1.9	17.8	13		
PIN1.25-18	1.9	22.8	18			
PIN2-9	16-14 1.5-2.5 1000PCS	1.9	13.8	9	4.1	2.3
PIN2-10		1.9	14.8	10		
PIN2-12		1.9	16.8	12		
PIN2-13		1.9	17.8	13		
PIN2-18	1.9	22.8	18			
PIN3.5-10	14-12/2.5-4 500PCS	2.8	14.8	10	5.0	3.0
PIN3.5-13	500PCS	2.8	19.8	13	5.0	3.0
PIN5.5-13	12-10/4-6	2.8	19.8	13	5.6	3.4

RCCN 日成EPINF针型易进绝缘端子 EPINF Insulated Terminals



型号 Item No.	AWG mm ² 包装	尺寸 DIMENSION				颜色 Color
		F φ mm	L mm	H mm	D φ mm	
EPINF1.25-9	22-16 0.5-1.5 1000PCS	1.9	19.0	10.0	4.0	红/Red
EPINF1.25-10		1.9	20.0			
EPINF1.25-12		1.9	22.0			
EPINF1.25-13		1.9	23.0			
EPINF1.25-18	1.9	28.0				
EPINF2-9	16-14 1.5-2.5 1000PCS	1.9	19.0	10.0	4.5	蓝/Blue
EPINF2-10		1.9	20.0			
EPINF2-12		1.9	22.0			
EPINF2-13		1.9	23.0			
EPINF2-18	1.9	28.0				
EPINF3.5-10	12-10/4-6/500PCS	2.8	20.5	13.5	6.4	黑/Black
EPINF3.5-13		2.8	25.5	13.5	6.4	黑/Black
EPINF5.5-13		2.8	25.5	13.5	6.4	黄/Yellow



RCCN 日成EDBF片形易进绝缘端子 EDBF Insulated Terminals



型号 Item No.	AWG mm ² 包装	尺寸 DIMENSION				颜色 Color
		F mm	L mm	H mm	D φ mm	
EDBF1.25-10	0.5-1.5 1000PCS	3.0	21.0	10.0	4.3	红/Red
EDBF1.25-11		3.0	24.0			
EDBF1.25-14		2.2	28.0			
EDBF1.25-18		2.2	28.0			
EDBF2-10	16-14 1.5-2.5 1000PCS	2.4	19.0	10.0	4.9	蓝/Blue
EDBF2-14		2.4	24.0			
EDBF2-18		2.2	28.0			
EDBF5.5-10	12-10	2.8	22.5	13.5	5.6	黄/Yellow
EDBF5.5-14	4-6	4.5	26.5			
EDBF5.5-18	500PCS	4.5	30.5			

